



# Portable Air Conditioner PAC-12000-C Instruction Manual

ALASKAN

## Contents

<b>Before Installing and Operating this Unit</b>	<b>Page 2</b>
<b>Product Information</b>	<b>Page 3</b>
<b>Installation Instructions</b>	<b>Page 4</b>
<b>Installation Instructions</b>	<b>Page 5</b>
<b>Identification of Parts</b>	<b>Page 6</b>
<b>Function of the Control Panel</b>	<b>Page 7</b>
<b>Function of the Remote Control</b>	<b>Page 7</b>
<b>Model Specification and Safety Cautions</b>	<b>Page 8</b>
<b>Use of Control Panel</b>	<b>Page 9</b>
<b>Water Drainage Methods</b>	<b>Page 10</b>
<b>Air Conditioner Maintenance</b>	<b>Page 11</b>
<b>End of Season Maintenance</b>	<b>Page 11</b>
<b>Troubleshooting</b>	<b>Page 12</b>



### **DO**

Please read the Instruction Manual before using this product.

Install the product according to relevant National Wiring Regulations.

Use this product indoors in a dry environment.

Maintain a minimum clearance of 50cm between the back and sides of the unit and any obstruction or wall.

Ensure the areas to the front, sides, rear and above this appliance are not obstructed.

Regularly check the air filter and clean as necessary.

Drain the condensed water from the internal tray as necessary.

### **DO NOT**

**DO NOT** use this appliance outdoors, in bathrooms or in laundry rooms.

**DO NOT** use without a Mains Earth connection.

**DO NOT** block or cover the vents.

**DO NOT** open this appliance – There are no user serviceable parts.

**DO NOT** use this unit without the air filter.

**DO NOT** use this product outside of the published specification.

### **WARNING**

**DO NOT** use if the mains plug, supply cable or appliance becomes damaged. In this event, immediately disconnect from the mains supply.

**DO NOT** reconnect until a qualified engineer has repaired the damage.

This unit is supplied fitted with a UK 13A plug and a BS1362 13A fuse. If a replacement is fitted, the connections are as follows:

Earth – Green/Yellow wire is connected to the E (Earth) terminal sometimes marked Green/Yellow.

Live – Brown wire is connected to the L (Live) terminal sometimes marked Brown.

Neutral – Blue wire is connected to the N (Neutral) terminal sometimes marked Blue.

The plug must only be replaced by a qualified person.

The plug must be rated at 13A or above.

If the plug is of a type that does not contain a fuse, the socket to which it is connected must be rated at 15A and directly protected by a 15A fuse or a 15A circuit breaker.

This product is a portable air conditioner with environmental protection, ease of installation, energy saving and flexible use incorporated into the design.

### **Environmental Protection:**

This product uses R407C as its cooling medium. The contamination index (ODP) to the atmosphere of the R407C is zero, which means it is the one of best environmental protection cooling refrigerants for room air conditioners.

### **Easy Installation:**

As a portable air conditioner, this unit is designed for easy installation. A 13 amp household mains socket provides the power and exhaust air is exhausted via a flexible pipe that can be vented to the outside or other rooms.

### **Energy Saving:**

Compared to split systems the energy use of this unit is much reduced. The principle is that the unit is used to cool or heat relatively small areas at the time required and therefore will save energy.

### **Flexible Usage:**

This unit is portable and is mounted on wheels for convenient transportation between rooms. The flexible hose can vent the heat extracted by the unit in various ways, either permanently fixed or temporary.

### **Functions:**

This unit is designed to cool or dehumidify air. It can also be used as a fan only to circulate room air via the dust filter.

### **Water Condensing:**

This unit has a self-evaporative system. The condensed water is recycled to cool the capacity and saves energy. Excess water is collected in an internal tray. If the internal tray is full the internal LCD display will flash "P2" and the unit will automatically stop.

### **Dehumidification (Drying):**

During prolonged periods of dehumidification it may be necessary to remove the drain plug adjacent to the mains lead and install a drain hose (10mm internal diameter) to a suitable container or drain

### **Air Flow:**

This unit has adjustment for fan speed and either manual or automatic adjustment for airflow direction.

### **Operation:**

This unit can be operated from the control panel located on the unit or a remote control.

### **De-heat:**

The pump is equipped an automatic de-heat function.

### **Safety:**

This appliance is **CE** marked and has been type tested for compliance to the EC EMC and LVD Directives. It is fitted with automatic protection devices, which ensure that the compressor operates safely and effectively.

PAC-12000-C  
ALASKANAIR

## Installation Instructions

### Selection of installation location

This air conditioning unit should not be used in a completely air tight room. Consideration should be given to replacement air, since air is pumped out of the room by the fixable exhaust duct. The unit should be installed on a flat and dry surface. Leave at least 50cm space all around the unit. (see Diagram 1)

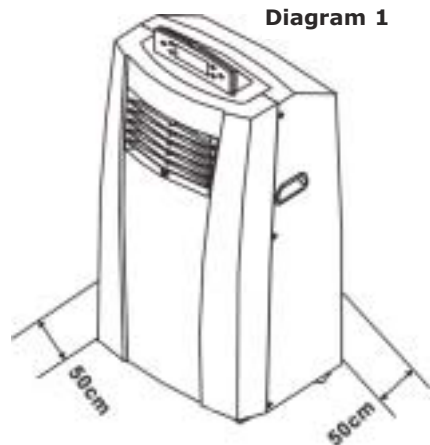


Diagram 1

### 1. Temporary installation

From the end of the exhaust duct to the exhaust terminal at the rear of the unit. Place the free end of the duct out of a partially opened door or window.

### Installing the air exhaust ducting

#### 2. Window kit installation

The window slider kit has been designed to fit most standard vertical or horizontal sash windows. However, it may be necessary to modify some aspects of the installation procedure for some types of sash window.

Fix the end of the exhaust duct to the exhaust terminal at the rear of the unit. Fit the rectangular adaption to the free end of the duct and attach this to the vent hole in the window kit. (see Diagram 2)

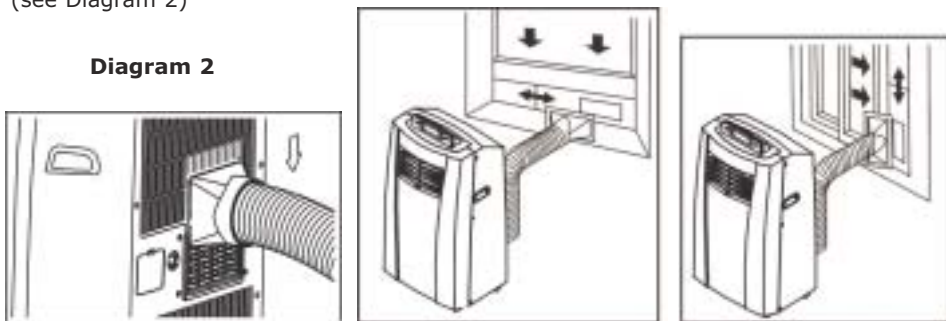


Diagram 2

**CAUTION** The window kit must be strongly and safely fixed to the window frame to avoid potential injury from falling parts.

## Installation Instructions

### 3. Permanent method

Fix the end of the exhaust duct to the exhaust terminal of the unit. Drill hole (Ø 120mm) through the wall. Insert and fix the vent ring and cover into the vent hole ring. Cover the vent hole with the cap when not in use. Fit the supplied round adaptor on the air outlet duct then connect it with the Cover. (see Diagram 3)

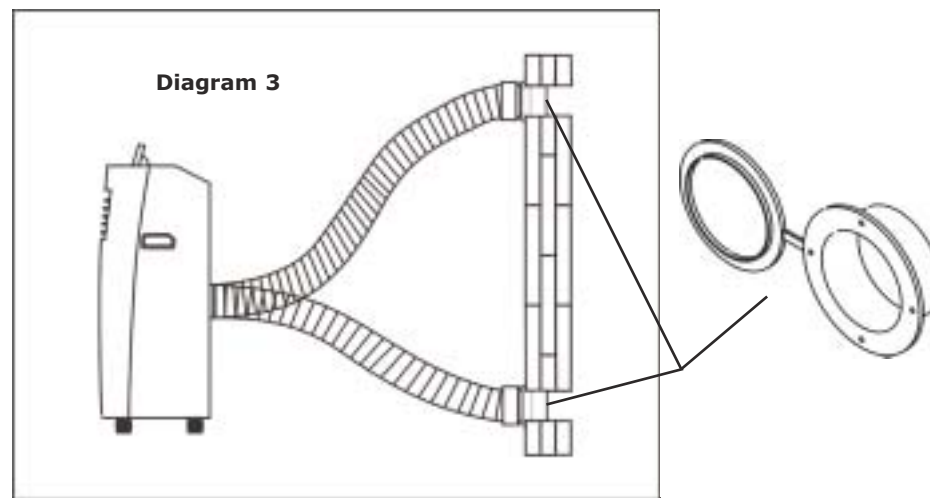
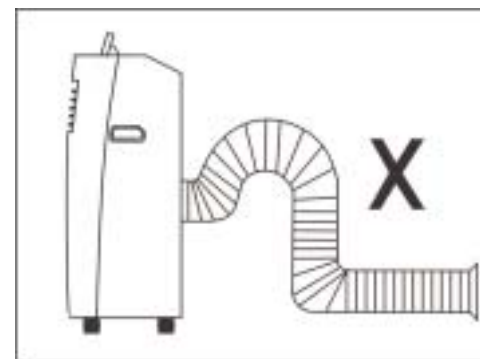


Diagram 3

### Incorrect hose installation.

**Note:** If the exhaust duct is bent too tightly it may cause the unit to malfunction. The maximum height is 120cm and the minimum height is 30cm. (see Diagram 4)

Diagram 4



### WARNING

The length of the exhaust pipe is designed according to the specification of this product. Do not replace or extend it with a longer hose as this could cause mal-function.

**BE CAREFUL:** The maximum length of the exhaust pipe is 1200mm. Use the shortest possible length. When mounting, we advise to keep the exhaust pipe in a horizontal position.

When the hole is not in use, use the cap to cover the hole.

PAC-12000-C  
ALASKANA

## Identification of Parts

### Identification of Parts

#### Front

1. Control panel
2. Air outlet
3. Signal receiver
4. Adjustable air flow
5. Transport handle



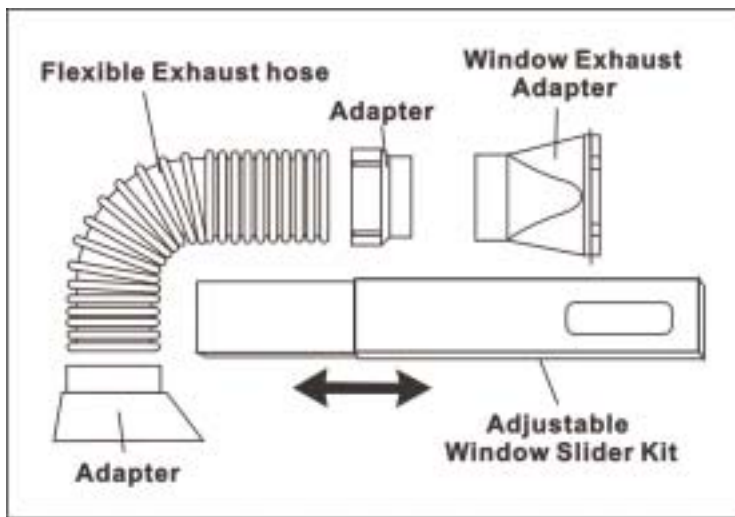
#### Back

6. Castor / wheel
7. Evaporator air inlets
8. Drain port
9. Power cord



Check all the accessories included in the package and please refer to the installation instructions for their usage.

### Accessories



## Control Panel and Remote Control

### Control Panel

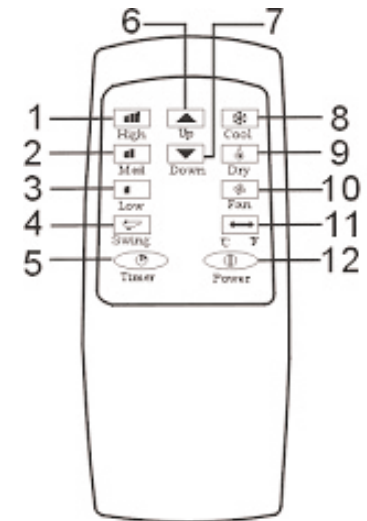



1. ON/OFF button: press this button to turn on/off the unit.
2. MODE button: press this button to select Cool, Dry or Fan mode .
3. SPEED button: press this button to select high, medium or low fan speed.
4. TIMER button: press this button to set timer-on, timer-off or no-timer.
5. UP & DOWN button: press these buttons to set room temperature or time when in Time On/Off mode.
6. LCD display: display different signals accordingly.

Note: To vary from Fahrenheit to Celsius, press both UP and DOWN button.

### Remote Control

1. High fan speed button
2. Middle fan speed button
3. Low fan speed button
4. Swing button
5. Timer button
6. Up button
7. Down button
8. Cool mode button
9. Dry mode button
10. Fan mode button
11. Celsius and Fahrenheit exchange button
12. Power button (same as ON/OFF button)








<b>Model</b>	<b>PAC-12000-C</b>
Supply Voltage	220-240V AC 50Hz
Rated Current	5.9A
Rated Power Input	1500W
Class I	Mains Earth required
Refrigerant Name	R407C 580g
Cooling Capacity	12000BTU/h
Air Capacity	450 m <sup>3</sup> /h
Noise	<50dB(A)
Weight	34kg
Room Area	25m <sup>2</sup> - 30m <sup>2</sup>
Unit Size	840 X 430 X 330 mm
	This appliance is CE marked and has been type tested for compliance to the EC EMC and LVD Directives

PAC-12000-C ALASKA



**Safety Cautions:**

**Do not** direct the airflow on to pets or animals  
**Do not** place the air conditioner in direct sunshine, otherwise the body may become discoloured.  
 To avoid electric shocks do not use this unit near water sources.  
 To avoid fires do not place this unit near to heat sources such electric fires or gas fires etc.  
**Do not** obstruct the flexible exhaust pipe during operation.  
 This unit should be used on a level floor.



**Cooling mode**

Press MODE button (or Cool button ) to choose Cool mode, the LCD will display .  
 Press UP or DOWN button to set room temperature between 18°C to 30°C.  
 Press SPEED button (or Low/Mid/High button) to select low, middle or high fan speed. The LCD will display ,  or  accordingly.  
 Press Swing button to make the fins swing (use remote control only). The LCD will display .

**Dehumidifying mode**

Press the MODE button (or Dry button) to choose Dry mode, the LCD will display .  
 In Dry mode the fan speed is preset. Speed button is not available.  
 Press the Swing button to make the fins swing (use remote control only). The LCD will display .  
 Do not use air outlet duct.  
 Dry mode can not be used to cool the room.

**Fan mode**

**A**-Press MODE button (or Fan button) to choose Fan mode, the LCD will display .  
**B**-Select the fan speed by press SPEED button or press High/Mid/Low button directly.  
**C**-Press Swing button to make the fins swing (use remote control only). The LCD will display .  
**D**-The temperature can not be set.  
**E**-Do not use the air outlet duct.

**Timer-on**

**F**-When the appliance is switched off, press Timer button to set timer-on. Press Up or Down button to adjust time from 30 minutes to 24 hours. The Time on light indicator will light.

**Timer-off**

**G**-When the appliance is operating, press the Time Off button to set timer-off. Press Up or Down button to adjust time from 30 minutes to 24 hours. The Time off light indicator will light.

**Note:** The Swing function can only be operated by remote control.

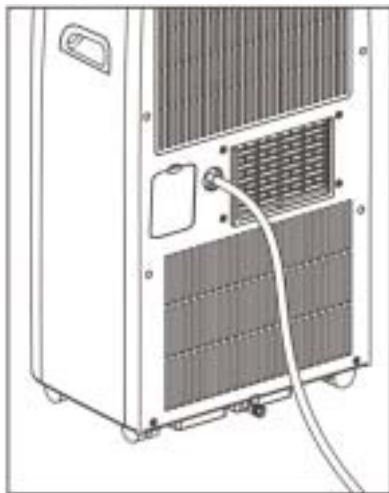
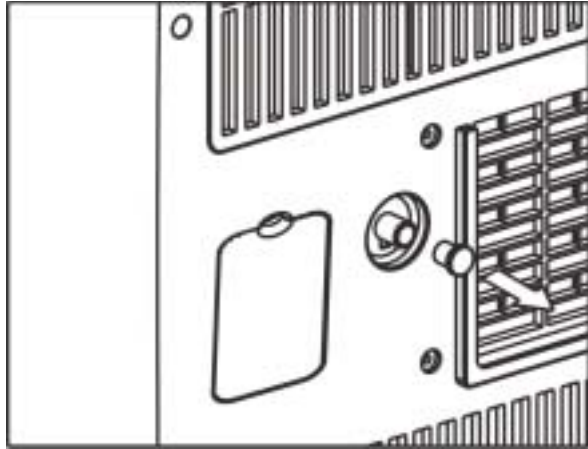
## Water Drainage Methods

This product has a self-evaporative system. The condensing water will be recycled to cool the condenser. This improves cooling efficiency, and saves energy .

**A-**When in Cool or Fan mode, there's no need of water drainage.

**B-**During dehumidifying mode, remove the drain plug adjacent to the mains lead from the back for the unit, and install a drain hose (10mm internal diameter) and place the open end of the hose into a suitable container or drain.

**C-**If the internal water container is full, the LCD-display will flash "P2" and the unit will stop automatically.



## Model Specification and Safety Cautions

**Note:** Turn off the unit and unplug it before any maintenance or cleaning, to avoid electric shock.

### Cleaning

**A-**Unplug the unit before any cleaning.

**B-**Clean the housing with a soft damp cloth. Do not use chemical solvents (such as benzene, alcohol, gasoline). These may damage the housing.

**C-**Do not spray water on the unit.

### Air filter

**A-**Clean the air filter every 2 weeks. If the air filter is blocked with dust, the efficiency will reduce.

**B-**Open the air filter cover upwards, then take out the air filter.

**C-**Wash the air filter by immersing it gently into warm (about 40°C) water with a neutral detergent, rinse it and dry it thoroughly in a shaded place.

### End of season



**A-**Pull out the rubber drain plug at the bottom of the unit and drain into a suitable tray.

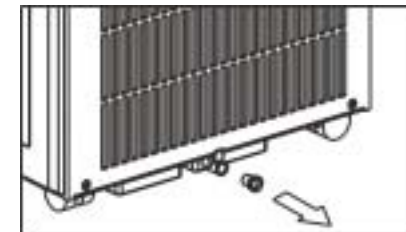
**B-**Keep the unit running in Fan mode for several hours until the inside of the unit is dry.

**C-**Turn off the unit and unplug it. Take out the batteries of the remote control and keep them well.

**D-**Clean the air filter and reinstall it.

**E-**Remove the air hoses and keep them carefully.

**F-**Wrap the unit with the plastic bag and keep it in a dry place.



PAC-12000-C  
ALASKAN

## Troubleshooting

Problem	Reasons	Solutions
Air conditioner unit does not operate at all.	<b>1)</b> Is it plugged in? <b>2)</b> Is there power? <b>3)</b> Did the fuse fail or circuit breaker trip? <b>4)</b> Is the LCD display flashing P2? <b>5)</b> Is the SET TIME correct?	<b>1)</b> Place the plug into the wall socket <b>2)</b> Ensure that the socket is switched on. <b>3)</b> Replace the fuse or reset the circuit breaker <b>4)</b> Drain the water out of the internal water tank. <b>5)</b> Change the SET TIME
Cooling efficiency is poor.	<b>1)</b> Is the air inlet or outlet blocked? <b>2)</b> Is there any other heat source in room? <b>3)</b> Is air filter dirty? <b>4)</b> Is SET TEMP. suitable? <b>5)</b> Is the fan speed set at low?	<b>1)</b> Clear the blockage <b>2)</b> Remove the heat source <b>3)</b> Clean the air filter <b>4)</b> Reset the temperature <b>5)</b> Set a suitable fan speed.
Unit is noisy and vibrating.	<b>1)</b> Is the coolant circulating inside? <b>2)</b> Is the unit on a level floor?	<b>1)</b> This is normal <b>2)</b> Place on a horizontal floor
The unit starts and stops continuously.	<b>1)</b> Is the voltage and rating of the power source correct? <b>2)</b> Is the air exhaust restricted?	<b>1)</b> Refer to the technical specification for the appliance rating. <b>2)</b> Try to keep the air exhaust horizontal and free of tight bends

**Cautions: Switch off and unplug the unit immediately if anything abnormal happens. Then contact a qualified engineer for assistance.**

PAC-12000-C



InStyle Products Limited.  
 84 High Street,  
 Ware,  
 Hertfordshire,  
 SG12 9AP,  
 United Kingdom.

Telephone: +44 (0) 1920 463117  
 Facsimile: +44 (0) 1920 462233

email:sales@alaskanaircon.com  
 website: www.alaskanaircon.com