



**Portable Air Conditioner
PAC-12000H-D
Instruction Manual**

ALASKAN

Before Installing and Operating this Unit Page 2

Product Information Page 3

Installation Instructions Page 4

Installation Instructions Page 5

Identification of Parts Page 6

Function of the Control Panel Page 7

Model Specification and Safety Cautions Page 8

Operation Page 9

Function of the Remote Control Page 10

Water Drainage Methods Page 11

Air Conditioner Maintenance Page 11

End of Season Maintenance Page 11

Troubleshooting Page 12



DO

Please read the Instruction Manual before using this product.
Install the product according to relevant National Wiring Regulations.
Use this product indoors in a dry environment.
Maintain a minimum clearance of 50cm between the back and sides of the unit and any obstruction or wall.
Ensure the areas to the front, sides, rear and above this appliance are not obstructed.
Regularly check the air filter and clean as necessary.
Drain the condensed water from the internal tray as necessary.
Disconnect the power plug before dismantling, assembling or before cleaning.

DO NOT

DO NOT use this appliance outdoors, in bathrooms or in laundry rooms.
DO NOT use without a Mains Earth connection.
DO NOT block or cover the vents.
DO NOT open this appliance – There are no user serviceable parts.
DO NOT use this unit without the air filter or any other part removed.
DO NOT restart the air conditioning unit unless 4 minutes have passed since being turned off, or the compressor may be damaged.
DO NOT use the mains plug/switch to turn the air conditioning unit ON and OFF. Use the ON/OFF switch located on the control panel.
DO NOT use this product outside of the published specification.
DO NOT cover the appliance since this may cause a fire hazard.

WARNING

The air conditioning unit must always be stored and transported upright, otherwise you may cause irreparable damage to the compressor. In case of doubt, we suggest to wait for at least 24 hours after moving the unit before you start the air-conditioning unit.

DO NOT use if the mains plug, supply cable or appliance become damaged. In this event, immediately disconnect from the mains supply.

DO NOT reconnect until a qualified engineer has repaired the damage.

This unit is supplied fitted with a UK 13A plug and a BS1362 13A fuse. If a replacement is fitted, the connections are as follows:

Earth – Green/Yellow wire is connected to the E (Earth) terminal sometimes marked Green/Yellow.

Live – Brown wire is connected to the L (Live) terminal sometimes marked Brown.

Neutral – Blue wire is connected to the N (Neutral) terminal sometimes marked Blue.

The plug must only be replaced by a qualified person.

The plug must be rated at 13A or above.

If the plug is of a type that does not contain a fuse, the socket to which it is connected must be rated at 15A and directly protected by a 15A fuse or a 15A circuit breaker.

The design of this product incorporates features to protect the environment, save energy and provide flexibility in use.

Environmental Protection:

This product uses R407C as its cooling medium. The contamination index (ODP) of R407C to the atmosphere is zero, which means that it is the one of best environmental protection cooling refrigerants for portable air conditioners.

Easy Installation:

As a portable air conditioner, this unit is designed for easy installation. A 13 amp household mains socket provides the power and exhaust air is removed via a flexible duct that can be vented to the outside or to other rooms.

Energy Saving:

Compared to split systems the energy use of this unit is much reduced. The principle is that the unit is used to cool or heat relatively small areas at the time required and therefore will save energy.

Further energy may be saved if blinds or curtains are closed to shade the room from direct sunlight and windows and doors are closed to reduce the loss of cooled air.

Flexible Usage:

This unit is portable and is mounted on wheels for convenient transportation between rooms. The flexible duct can vent the heat extracted by the unit in various ways, either permanently fixed or temporary.

Functions:

This unit is designed to cool or dehumidify air. It can also be used as a fan to circulate room air via the dust filter.

Water Condensing:

This unit has a self-evaporative system. The condensed water is recycled to cool the compressor and save energy. Excess water is collected in an internal tray. If the internal tray is full the internal water full indicator will light or the LCD display flashes "E2" and the unit will automatically stop.

Dehumidification (Drying):

During prolonged periods of dehumidification it may be necessary to remove the drain plug adjacent to the mains lead and install the drain hose to a suitable container or drain

Air Flow:

This unit has adjustment for fan speed and either manual or automatic adjustment for airflow direction.

Operation:

This unit can be operated from the control panel located on the unit or a remote control.

Defrost:

The unit is equipped with an automatic defrost function.

Safety:

This appliance is **CE** marked and has been type tested for compliance to the EC EMC and LVD Directives. It is fitted with automatic protection devices, which ensure that the compressor operates safely and effectively.

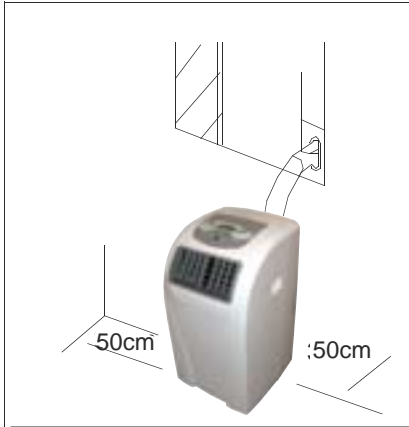
PAC-12000H-D
ALASKAN

Installation Instructions

Selection of installation location

This air conditioning unit should not be used in a room that is completely air tight. Consideration should be given to replacement air, since air is pumped out of the room via the flexible exhaust duct. The unit should be installed on a flat dry surface. A minimum clearance of 50cm must be maintained between the rear and the sides of the unit and any wall or other obstruction. (see Diagram 1)

Diagram 1



Installing the air exhaust duct

1. Temporary installation

Connect the end of the exhaust duct to the exhaust terminal at the rear of the unit. Place the free end of the duct out of a partially opened door or window.

2. Window kit installation

The window slider kit has been designed to fit most standard vertical or horizontal sash windows. However, it may be necessary to modify some aspects of the installation procedure for some types of sash window.

Connect the end of the exhaust duct to the exhaust terminal at the rear of the unit. Fit the rectangular adaptor to the free end of the duct and attach this to the vent hole in the window kit.



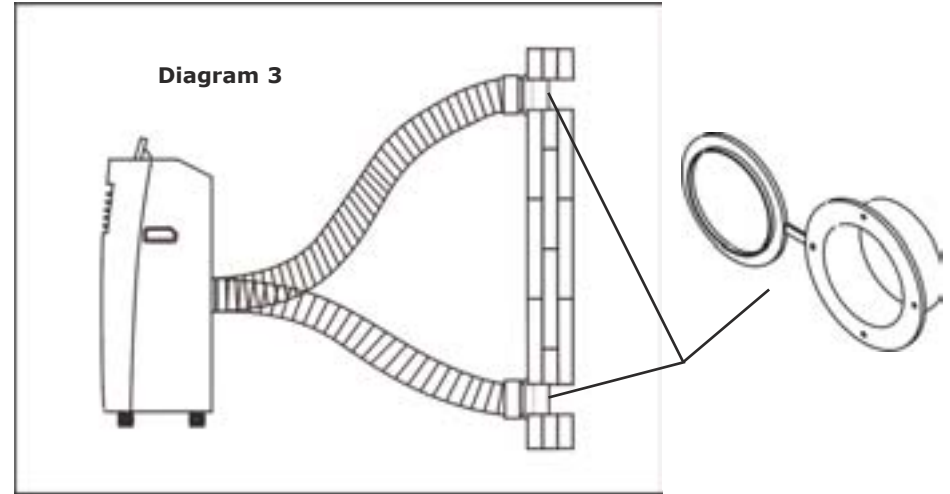
CAUTION The window kit must be strongly and safely fixed to the window frame to avoid potential injury from falling parts.

Installation Instructions

3. Permanent Installation

Purchase a suitable vent to connect with the supplied round exhaust duct adaptor. This must not be smaller in diameter than the adaptor and must allow unrestricted airflow. Drill suitable hole through wall and mount vent. Connect round adaptor to exhaust duct and then connect this into the vent hole.

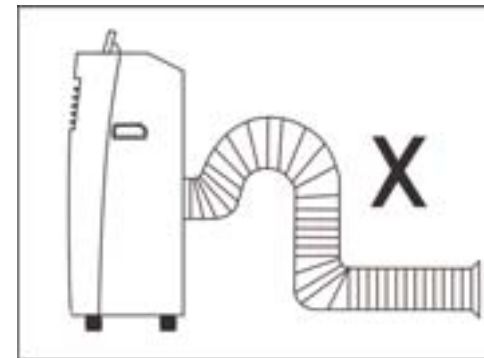
Diagram 3



Incorrect hose installation.

Note: If the exhaust duct is bent too tightly it may cause the unit to malfunction. The maximum height is 150cm and the minimum height is 30cm. (see Diagram 3 & 4)

Diagram 4



WARNING

The length of the exhaust duct is designed specifically for this product. Do not replace or extend it with a longer duct as this could cause malfunction.

The maximum length of the exhaust duct is 150cm. Use the shortest possible length for increased efficiency. If possible, install and use with the duct in a horizontal position.

Identification of Parts

Identification of Parts

Front

1. Control panel
2. Air outlet
3. IR Remote Control
4. Caster/Wheel

Side

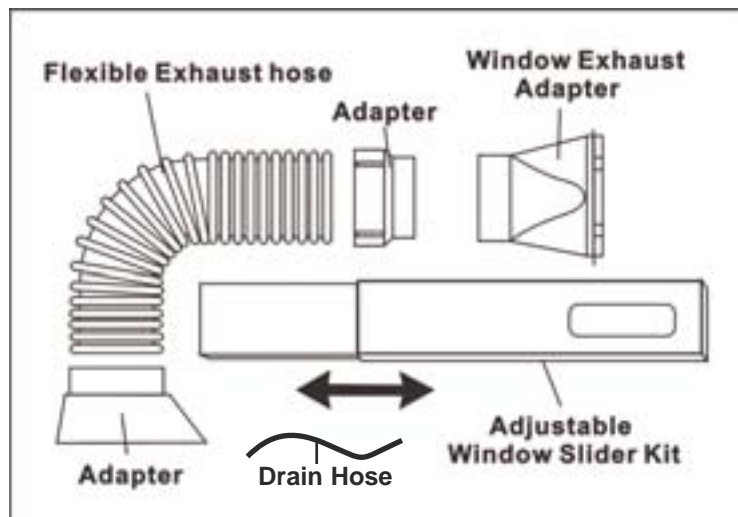
5. Rear Cover
6. Side panel
7. Front cover
8. Air inlet

Back

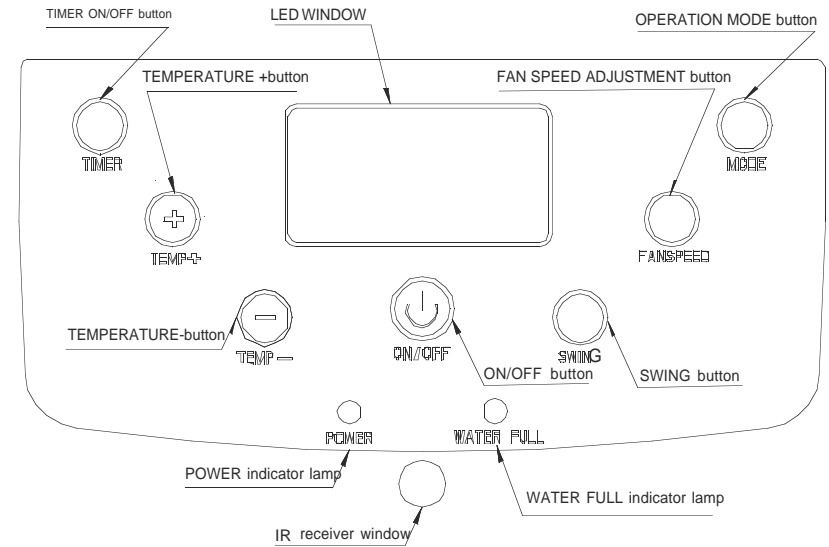
9. Air inlet
10. Drain hose
11. Mains lead
12. Air outlet
13. Air inlet
14. Continuous drain outlet

Check all the accessories included in the package and refer to the installation instructions for correct use.

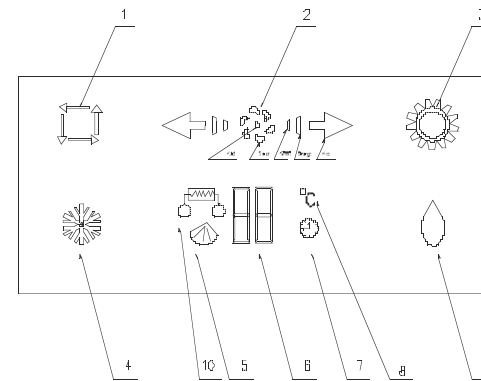
Accessories



Control Panel and Remote Control




Note: To change from Fahrenheit to Celsius, press both UP and DOWN button together.



1	Auto mode icon	Green
2	Air volume selection icon	As shown
3	Heat mode icon	Red
4	Cool mode icon	Green
5	Swing icon	Green (optional)
6	Temperature and timing figure icon	Green
7	Timer icon	Orange
8	Temperature icon	Green
9	Dry icon	Orange
10	Electric heat icon	Red (optional)

ALASKA PAC-12000H-D

Model	PAC-12000-HD
Supply Voltage	220-240V AC 50Hz
Rated Current	Cooling - 6.0A / Heating - 9.0A
Rated Power Input	Cooling - 1330W / Heating - 2000W
Class I	Mains Earth required
Refrigerant Name	R407C 450g
Cooling Capacity	12000BTU/h
Heating Capacity	12000BTU/h
Air Capacity	450 m ³ /h
Noise - Cooling	<48dB
Weight	36kg
Room Area	25m ² - 30m ²
Unit Size	820 x 420 x 450mm
	This appliance is CE marked and has been type tested for compliance to the EC EMC and LVD Directives

Please Note: The manufacturer reserves the right without notice to amend the technical information and specifications.

Safety Cautions:

- Do not** direct the airflow onto pets or animals
- Do not** place the air conditioner in direct sunlight, otherwise the body may discolour.
- To avoid electric shock do not use this unit near water sources.
- To avoid fire do not place this unit near to heat sources such electric fires or gas fires etc.
- Do not** obstruct the flexible exhaust duct during operation.
- This unit should be used on a level floor.

PAC-12000H-D ALASKANAIR

Cooling mode

- Press the "Mode" button until the "Cool" icon appears.
- Press the "Δ" or "∇" button to select a desired room temperature. (16°C-31°C)
- Press the "Fan Speed" button to select the required fan speed.

Dehumidifying mode

- Press the "Mode" button until the "Dehumidify Indicator Lamp" flashes.
- Set the selected temperature to current room temperature minus 2°C. (16°C-31°C)
- Set the fan speed to LOW.

Heating mode

- Press the "Mode" button until the "Heat" icon appears.
- Press the "Δ" or "∇" button to select a desired room temperature. (16°C-31°C)
- Press the "Fan Speed" button to select the required fan speed.

Timer

Timer-On

- When the air-conditioner is OFF, press the "Timer" button and select the desired ON time using the temperature and time setting buttons.
- "Preset ON Time" is displayed on the control panel.
- ON time can be set at any time between 1-24 hours.

Timer-Off

- When the air-conditioner ON, press "Timer" button and select the desired OFF time using the temperature and time setting buttons.
- "Preset OFF Time" is displayed on the control panel.
- OFF time can be set at any time between 1-24 hours.

Water Pump Drainage

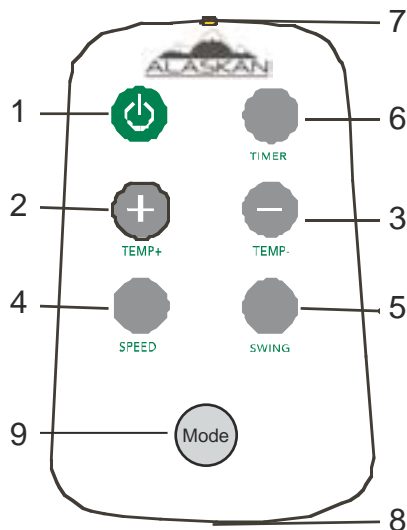
A, There are two water pumps, the drainage and self-evaporation water pump. **In heating and dehumidifying mode it is recommended to remove the upper drain plug, adjacent to the mains lead, and connect the water pump drain hose to the unit before operation. When the water level of internal water tank reaches a predetermined level, the drainage water pump will activate and drain the condensed water through the connected drain hose. The rubber drain plug must be fitted if the drain hose is not used.**

B, In cooling (auto cooling) mode, the self-evaporation water pump will work, in conjunction with the compressor.

Continuous Drainage

- If you plan to leave this unit unused for a long time, please remove the rubber plug from the drainage hole at the bottom of unit, and connect a drain hose to a drain or suitable container.
- If the water pump is damaged, continuous drainage can be used, and under this condition, the water pump is not active.
- If the water pump is damaged, intermittent drainage can also be used. Under this condition, when the water full indicator lamp lights, remove the rubber plug at the bottom of the unit and connect a drain hose to drain the water.

Remote Control Functions



Control button Operation:

When remote signals are received, the air-conditioner beeps and the corresponding operating symbols appear on the display.

- 1) ON/OFF Button:** Turns the air conditioning unit ON and OFF.
- 2) "TEMP+" button:** Each time the "TEMP+" button is pressed, the temperature setting (or time) increases by 10°C (or one hour). The range of setting temperature is 16-31°C (range of time is 1-24 hours).
- 3) "TEMP-" button:** Each time the "TEMP-" button is pressed, the temperature setting (or time) decreases by 10°C (or one hour). The range of setting temperature is 16-31°C (range of time is 1-24 hours).
- 4) Fan Speed button:** there are four options, AUTO, HIGH, MEDIUM and LOW. In dehumidifying mode, the fan speed is locked to LOW.
- 5) Swing Control button:** used for controlling air flow direction. Once ON is pressed, the air vent swings right and left, a second press can be used to fix the desired direction.
- 6) Timer ON/OFF button:** this button is used to set timed ON/OFF. Preset ON can only be set when the unit is switched OFF and preset OFF can only be set when the unit is switched ON. After pressing the timer button, you can set a time to turn the unit ON (OFF) using the +(2) or -(3) buttons. The setting range is 1-24 hours. The timing is confirmed by pressing the timer button again and cancelled by pressing the button a third time.
- 7) IR window**
- 8) Battery holder:** (LITHIUM BATTERY type CR2025 3V)
- 9) Mode button:** To change between each mode, i.e. fan, cool, heat.

Water Drainage Methods & Model Specification and Safety Cautions

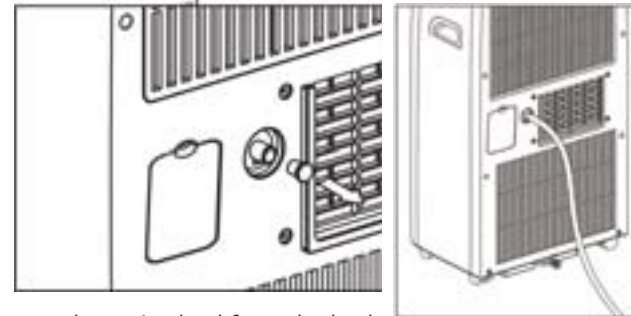
Water Drainage Methods

This product has a self-evaporative system. The condensed water is recycled to cool the condenser. This improves cooling efficiency, and saves energy.

A-When in Cool or Fan mode, no water drainage is required.

B-During dehumidifying and heating mode, remove the drain plug adjacent to the mains lead from the back for the unit, and install a drain hose (10mm internal diameter) and place the open end of the hose into a suitable container or drain.

C-If the internal water container is full, the water full indicator will light or the LCD-display will flash "E2" and the unit will stop automatically.



Model Specification and Safety Cautions

Note: TURN OFF the unit and unplug it before any maintenance or cleaning, to avoid electric shock.

Cleaning

A-Unplug the unit before any cleaning.

B-Clean the housing with a soft damp cloth. Do not use chemical solvents (such as benzene, alcohol or petrol). These may damage the housing.

C-Do not spray water on the unit.

Air filter

A-Clean the air filter every 2 weeks. If the air filter is blocked with dust, the efficiency will reduce.

B-Open the air filter cover upwards, then take out the air filter.

C-Wash the air filter by immersing it gently into warm (40°C) water with a neutral detergent, rinse it and dry it thoroughly in a shaded place.

End of season

A-Pull out the rubber drain plug at the bottom of the unit and drain using a drain hose or suitable tray.

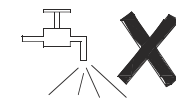
B-Keep the unit running in Fan mode for several hours until the inside of the unit is dry.

C-Turn off the unit and unplug it. Take the batteries out of the remote control and keep them safe.

D-Clean the air filter and reinstall it.

E-Remove the air hoses and store carefully.

F-Wrap the unit with the plastic bag or similar and keep it in a dry place.



Troubleshooting

Problem	Reasons	Solutions
Air conditioner unit does not operate at all.	1) Is it plugged in? 2) Is there power? 3) Did the supply fuse fail or circuit breaker trip? 4) Is the LCD display flashing E2 or the water full indicator illuminated? 5) Is the TIMER correct?	1) Place the plug into the wall socket 2) Ensure that the socket is switched on. 3) Replace the fuse or reset the circuit breaker 4) Drain the water out of the internal water tank. 5) Change the SET TIME
Cooling efficiency is poor.	1) Is the air inlet or outlet blocked? 2) Is there any other heat source in room? 3) Is air filter dirty? 4) Is SET TEMP. suitable? 5) Is the fan speed set at low?	1) Clear the blockage 2) Remove the heat source 3) Clean the air filter 4) Reset the temperature 5) Set a suitable fan speed.
Unit is noisy and vibrating.	1) Is the coolant circulating inside? 2) Is the unit on a level floor?	1) This is normal 2) Place on a horizontal floor
Auto Power-Off in heating mode.	1) Heating protection - For safety the unit will power off automatically if the air outlet temperature is excessive.	1) Make sure air outlet is not blocked or restricted in any way. Restart with room at lower temperature.
The unit starts and stops continuously.	1) Is the voltage and rating of the power source correct? 2) Is the air exhaust restricted?	1) Refer to the technical specification for the appliance rating. 2) Try to keep the air exhaust horizontal and free of tight bends.
The compressor does not work.	1) The overheat cutout is activated.	1) Wait 4 minutes until the temperature has decreased, then turn on the unit again.
The remote control does not function	1) Distance is too great. 2) Remote control signal not detected by the control panel. 3) The batteries are drained.	1&2) Make sure the remote control is correctly aimed at the control panel. 3) Replace the batteries.
E0 Code	1) Room temperature sensor failed.	1) Replace room temperature sensor.
E1 Code	1) Pipe temperature sensor failed.	1) Replace pipe temperature sensor.
E2 Code	1) RH ≥ 70%. 2) Water pump failed.	1) Water container for collecting water from humid air is full, drain unit. 2a) Restart the unit, and the code may reset. 2b) Use the unit with the lower drain hose fitted.

Cautions: Switch off and unplug the unit immediately if anything abnormal occurs. Then contact a qualified engineer for assistance.



InStyle Products Limited.
 The Maltings,
 63 High Street,
 Ware,
 Hertfordshire,
 SG12 9AD,
 ENGLAND.

Telephone: +44 (0) 1920 462222
 Facsimile: +44 (0) 1920 462233

email: sales@alaskanaircon.com
 website: www.alaskanaircon.com